



PRO ARMOR

POLARIS RZR / S (P081026) SIDE SKID PLATES INSTALLATION INSTRUCTIONS

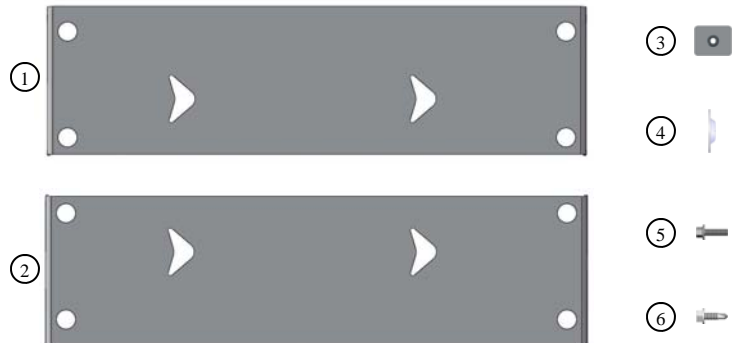
Please read these instructions carefully before installation to prevent injury to yourself or damage to your vehicle.

PARTS LIST:

ITEM	DESCRIPTION	QTY
1	LEFT SIDE SKID PLATE	1
2	RIGHT SIDE SKID PLATE	1

HARDWARE KIT:

ITEM	DESCRIPTION	QTY
3	MOUNTING PLATE	4
4	CUP WASHER	8
5	M6 x 20mm FLANGED HEX BOLT	4
6	SELF-TAPPING BOLT	4

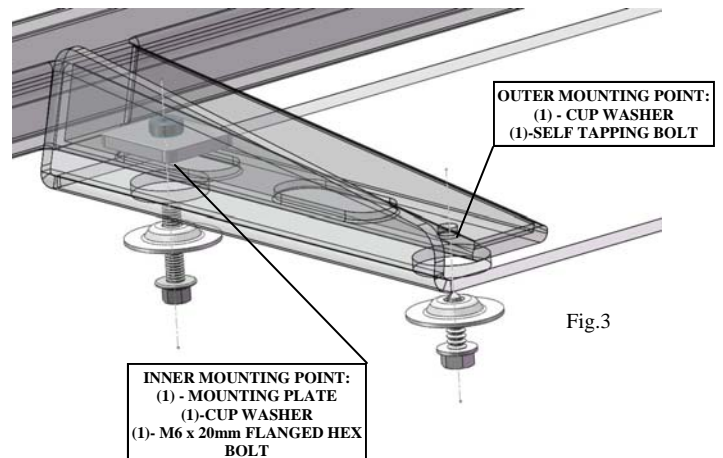
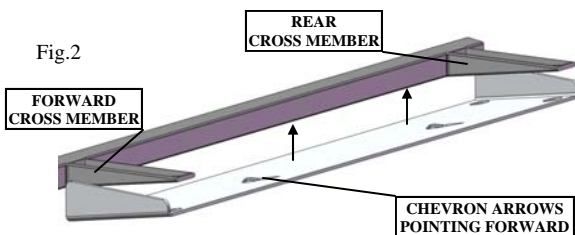
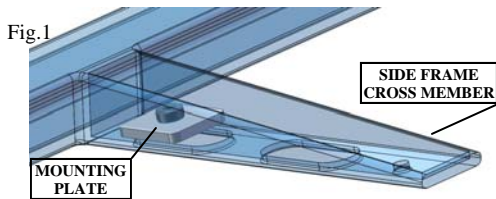


PREPARATION:

Plastic factory skid plate should be removed with Pro Armor front and rear mid skid plates securely installed before installing the side skid plates.

INSTALLATION:

1. Locate the mounting points along the left side cross members of the vehicle's frame. Position (1) mounting plate inside the cross member's inner mounting point as shown in fig. 1. Perform procedure for both forward and rear left side frame cross members.
2. Position the left side skid plate in place as shown in fig. 2. *Note:* Chevron arrows should be pointing toward the front of the vehicle.
3. Use fig. 3 as a guide for hardware installation on the inner/outer mounting points. Perform installation for both forward and rear left side frame cross members. Tighten all mounting hardware securing the left side skid plate to the frame of the vehicle.
4. Repeat procedures #1-3 with the right side skid plate on the right side of the vehicle.



MAINTENANCE:

Periodically check to see that the side skid plates are properly installed. Re-torque mounting bolts when necessary. Do not operate the vehicle if any bolts or fasteners are loose or missing.

CUSTOMER SERVICE:

For further information, please contact Pro Armor at 1-951-343-9270.