



## PRO ARMOR




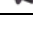
POLARIS RAZR (P081027)

FRONT BUMPER

INSTALLATION INSTRUCTIONS

Please read these instructions carefully before installation to avoid injury to yourself or damage to your ATV.

### PARTS LIST:

ITEM	DESCRIPTION	QTY
1	 FRONT BUMPER	1
2	HARDWARE KIT	1
	 M8x20mm BOLT QTY-2	
	 M8 NUT QTY-4	
	 M8x16mm BOLT QTY-2	

### PREPARATION:

If your RAZR is equipped with frame skid plates please make sure that they are properly installed, and remove the (2) forward mounting bolts and nuts from the front skid plate.

### INSTALLATION:

1. Position the front bumper so that the upper mounts rest against the front grill and so that the lower skid plate of the bumper is situated under the frame of the vehicle. (If using frame skid plates, position the lower skid plate of the bumper under the front frame skid plate aligning the mounting holes.)
2. Install (2) M8 x 16mm flanged bolts at the upper mounts into the threaded mounting points located in the vehicles front grill. NOTE: Newer models are not threaded, and will require the use of (2) M8 Flanged Nuts.
3. Install (2) M8 x 20mm button head bolts through the bumpers lower skid plate into the frame of the vehicle and fasten them down using (2) M8 flanged nuts.
4. Tighten down all the bolts and fasteners securing the front bumper to the vehicle.

### MAINTENANCE:

Periodically check the tightness of all bolts and fasteners. Re-torque as required. Do not operate the vehicle if any bolts or fasteners are loose.

### CUSTOMER SERVICE:

For further information, please contact PRO ARMOR at 1-951-270-0559.

**P081027**