



PRO ARMOR

POLARIS RZR/S (P081220) ROCK SLIDERS INSTALLATION INSTRUCTIONS

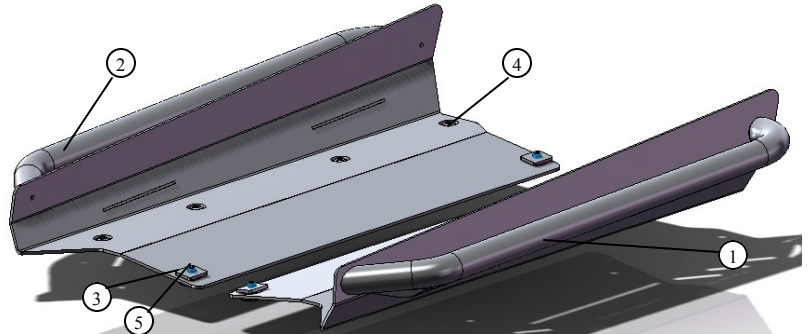
Please read these instructions carefully before installation to prevent injury to yourself or damage to your vehicle.

PARTS LIST:

ITEM	DESCRIPTION	QTY
1	LEFT ROCK SLIDER	1
2	RIGHT ROCK SLIDER	1

HARDWARE KIT:

ITEM	DESCRIPTION	QTY
3	MOUNTING PLATE	4
4	CUP WASHER	12
5	M6 x 20mm FLANGED HEX BOLT	4



PREPARATION:

Remove the plastic factory skid plate from the vehicle retaining the mounting bolts. P081220 Pro Armor Rock Sliders are recommended to be installed along with the Pro Armor front and rear mid skid plates. Remove and retain the (4) factory bolts that attach the vehicle's lower side plastics to the frame on each side of the vehicle.

INSTALLATION:

1. Locate the mounting points along the left side cross members of the vehicle's frame. Position (1) mounting plate inside the cross member's inner mounting point as shown in fig. 1. Perform procedure for both forward and rear left side frame cross members. (2) mounting plates should be positioned.
2. Position the left rock slider in place. Use fig. 2 as a guide for hardware installation. Re-install (4) factory bolts along with (4) supplied cup washers at the (4) outer mounting points. Install (2) supplied cup washers and install (2) supplied M6 x 20mm bolts through the cup washers threading them into the pre-positioned mounting plates for the (2) inner mounting points.
3. Tighten all bolts securing the left rock slider to the frame of the vehicle.
4. Repeat procedures #1-3 with the right side rock slider on the right side of the vehicle.

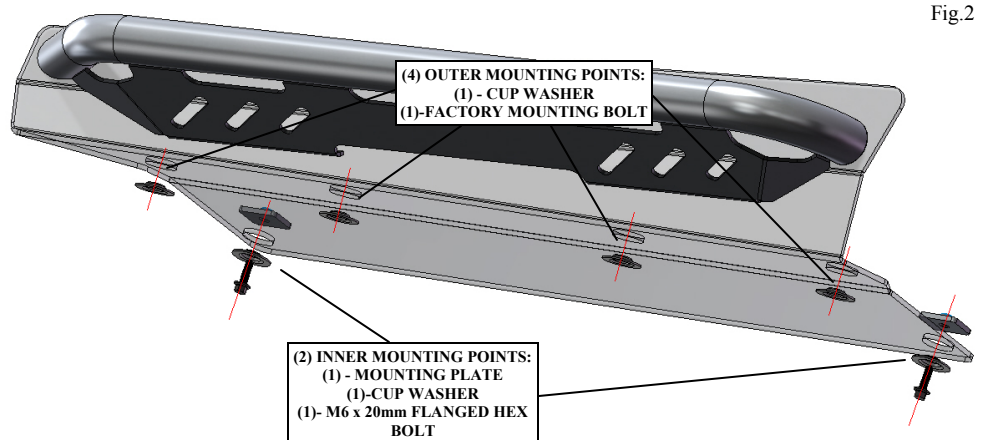
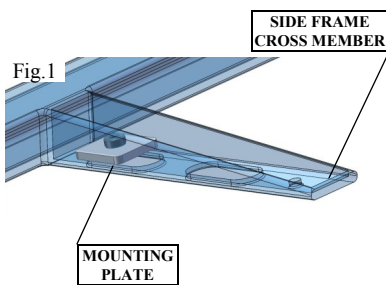


Fig.2

MAINTENANCE:

Periodically check to see that the rocksliders are properly installed. Re-torque mounting bolts when necessary. Do not operate the vehicle if any bolts or fasteners are loose or missing.

CUSTOMER SERVICE:

For further information, please contact Pro Armor at 1-951-343-9270.