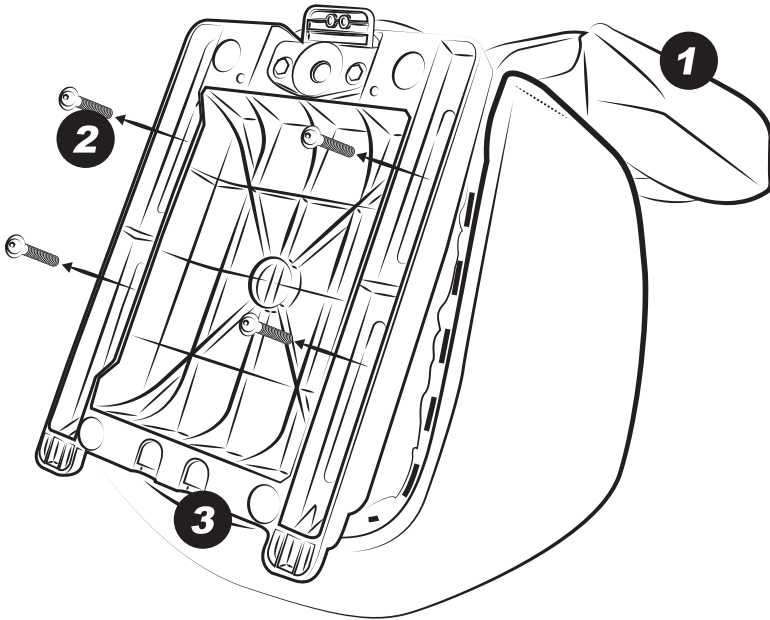




PRO ARMOR®

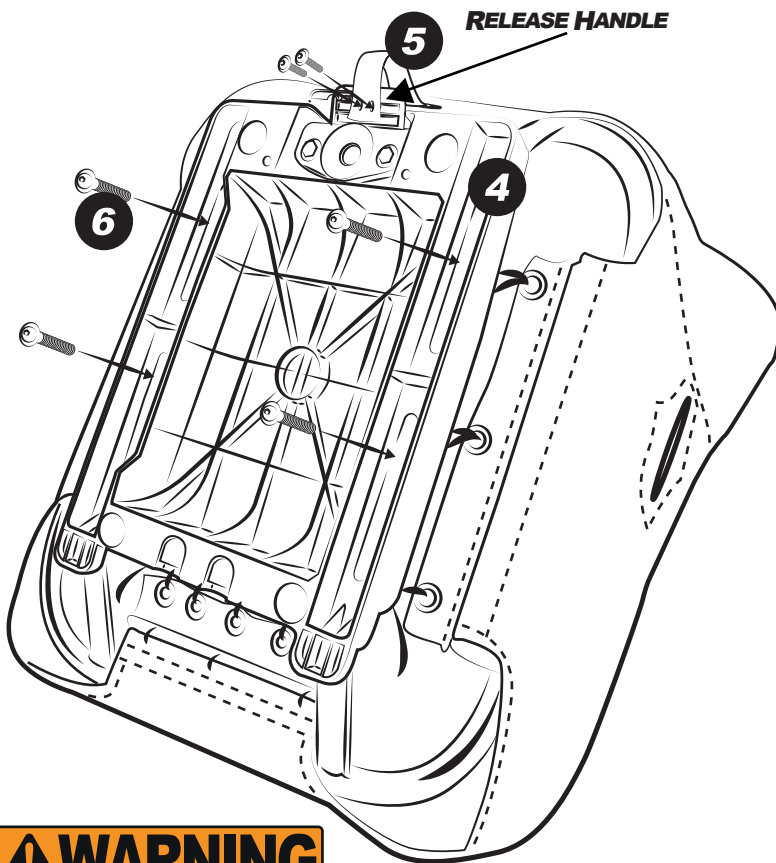
SEAT INSTALLATION & OPERATION INSTRUCTIONS



STOCK SEAT

- 1 Remove the stock seats from your UTV.
- 2 Remove the four (T27) Torx Bolts from the bottom of the clip in base.

(save the bolts for later use).
- 3 Remove the base from the stock seats.



PRO ARMOR SEAT

- 4 Place the base onto the bottom of your new Pro Armor Seats, with the release handle to the back of the seat.
- 5 Attach the Pro Armor release strap with the supplied hardware to the existing holes in the handle.
- 6 Using the same (T27) Torx bolts snug up the bolts in the same fashion as the stock seats, hand tight.
- 7 Place the seat in the car with the base tabs hooked under the seat bar of the UTV. Push down on the seat making sure base pin snaps in and locks.
- 8 Adjust the seat to your preferred seating position, release it and tighten the bolts.
- 9 Now install your Pro Armor safety harnesses, doors and enjoy.

WARNING

This seat is designed for comfort and will not offer you protection in the event of an accident, collision or sharp turn or maneuver. Seat, mount and hardware should be inspected frequently for any damage and to make sure all bolts are tightened properly. Motorsports and off-road driving can be hazardous. Always wear your seat belt, helmet, eye protection and other protective gear. Consult your vehicle manufacturer's owner's manual and follow all warnings and instructions. Visit www.proarmor.com for important product and safety information.

[For further information on seat installation please contact customer service at 1-888-312-7667.]

Seat Installation Instructions, Rev. 1 (11/29/2011)