



# PRO ARMOR

## POLARIS RZR (P082028) ALUMINUM FRONT BUMPER INSTALLATION INSTRUCTIONS

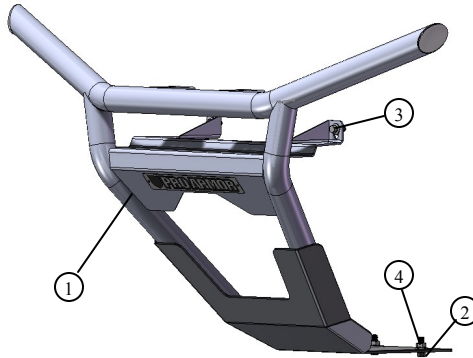
Please read these instructions carefully before installation to prevent injury to yourself or damage to your vehicle.

### PARTS LIST:

ITEM	DESCRIPTION	QTY
1	FRONT BUMPER	1

### HARDWARE KIT:

ITEM	DESCRIPTION	QTY
2	M8 x 20mm BOLT	2
3	M8 x 16mm BOLT	2
4	M8 NUT	4

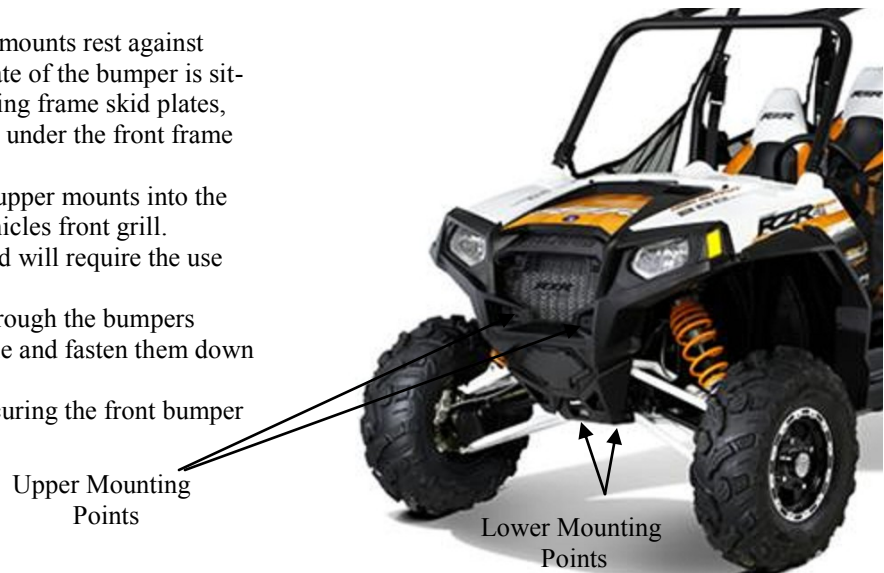


### PREPARATION:

If your RZR is equipped with frame skid plates please make sure that they are properly installed, and remove the (2) forward mounting bolts and nuts from the front skid plate.

### INSTALLATION:

1. Position the front bumper so that the upper mounts rest against the front grill and so that the lower skid plate of the bumper is situated under the frame of the vehicle. (If using frame skid plates, position the lower skid plate of the bumper under the front frame skid plate aligning the mounting holes.)
2. Install (2) M8 x 16mm flanged bolts at the upper mounts into the threaded mounting points located in the vehicles front grill.  
NOTE: Newer models are not threaded, and will require the use of (2) M8 Flanged Nuts.
3. Install (2) M8 x 20mm button head bolts through the bumpers lower skid plate into the frame of the vehicle and fasten them down using (2) M8 flanged nuts.
4. Tighten down all the bolts and fasteners securing the front bumper to the vehicle



### MAINTENANCE:

Periodically check to see that the front bumper is properly installed. Re-torque mounting bolts when necessary. Do not operate the vehicle if any bolts or fasteners are loose or missing.

### CUSTOMER SERVICE:

For further information, please contact Pro Armor at 1-951-343-9270.

**P082028**