

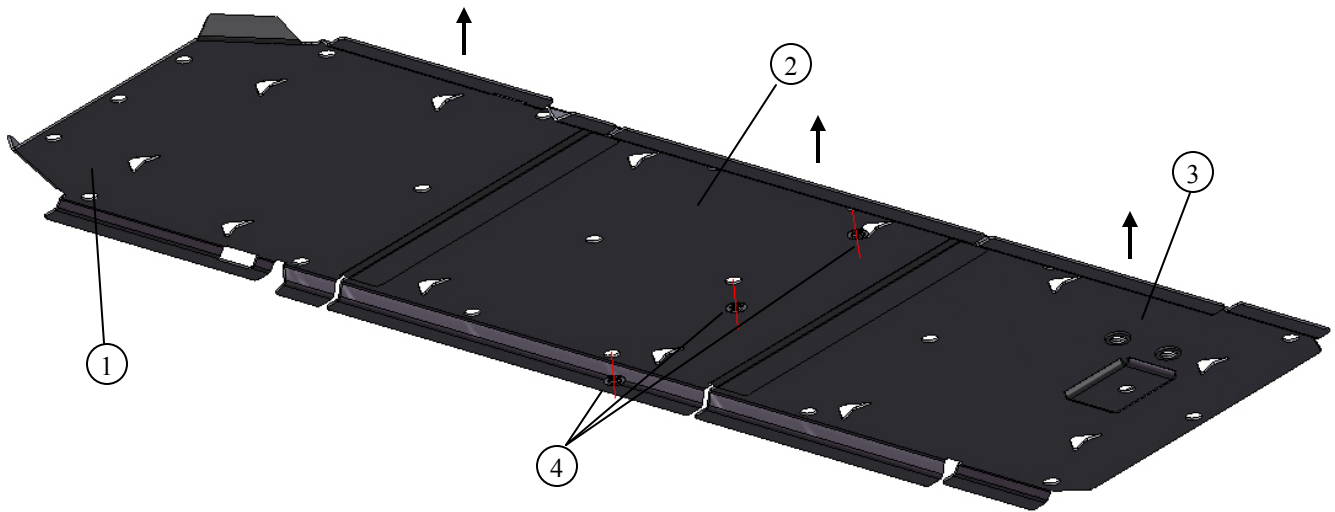


POLARIS RZR 4 (P101022)
MID SKID PLATES
INSTALLATION INSTRUCTIONS

Please read these instructions carefully before installation to prevent injury to yourself or damage to your vehicle.

PARTS LIST:

ITEM	DESCRIPTION	QTY
1	FRONT MID SKID PLATE	1
2	CENTER MID SKID PLATE	1
3	REAR MID SKID PLATE	1
4	CUP WASHER	3



PREPARATION:

Remove the factory plastic frame guard from the vehicle retaining all factory cup washers and bolts.

INSTALLATION:

1. Position the rear mid skid plate beneath the rear portion of the vehicle's main frame area. Align its (6) mounting holes to the mounting points located on the frame. Install (6) factory cup washers and bolts securing the rear mid skid plate to the frame of the vehicle.
2. Position the center mid skid plate beneath the mid portion of the vehicle's main frame area. Align its (6) mounting holes to the mounting points located on the frame with the rear section of the skid plate overlapping the installed rear mid skid plate. Install (3) supplied cup washers with factory bolts at the rear (3) mounting points. Install (3) factory cup washers and bolts at the forward (3) mounting points.
4. Position the front mid skid plate beneath the front portion of the vehicle's main frame area. Align its (8) mounting holes to the mounting points located on the frame with the rear section of the skid plate overlapping the installed center mid skid plate. Install (8) factory cup washers and bolts securing the all skid plates to the frame of the vehicle.

MAINTENANCE:

Periodically check to see that the skid plates are properly installed. Re-torque mounting bolts when necessary. Do not operate the vehicle if any bolts or fasteners are loose or missing.

CUSTOMER SERVICE:

For further information, please contact Pro Armor at 1-951-343-9270.