



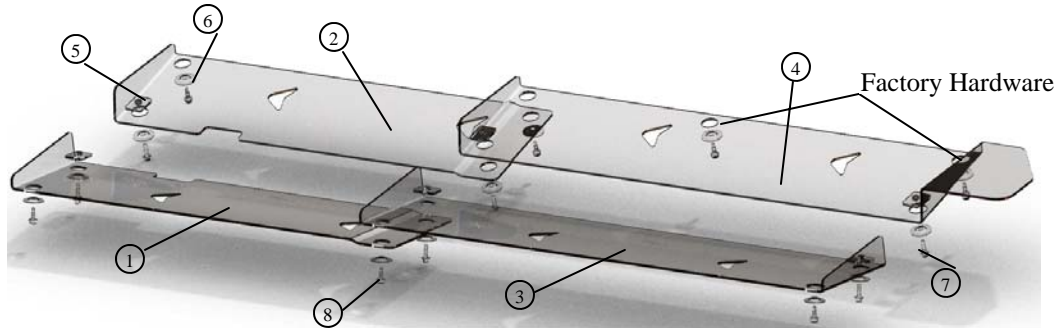
**POLARIS RZR 4 (P101026)**  
**SIDE SKID PLATES**  
**INSTALLATION INSTRUCTIONS**

Please read these instructions carefully before installation to prevent injury to yourself or damage to your vehicle.

**PARTS LIST:**

ITEM	DESCRIPTION	QTY
1	LEFT FRONT SKID PLATE	1
2	RIGHT FRONT SKID PLATE	1
3	LEFT REAR SKID PLATE	1
4	RIGHT REAR SKID PLATE	1

ITEM	DESCRIPTION	QTY
5	MOUNTING PLATE	6
6	CUP WASHER	11
7	M6 x 20mm FLANGED HEX BOLT	6
8	SELF-DRILLING SCREW 1/4-20 x 3/4	5

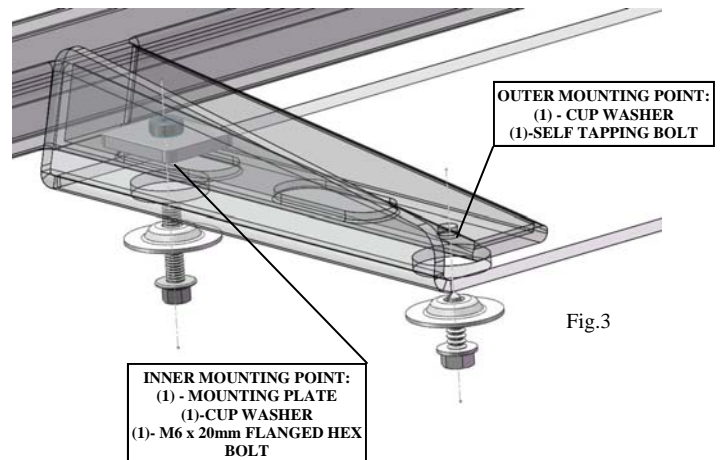
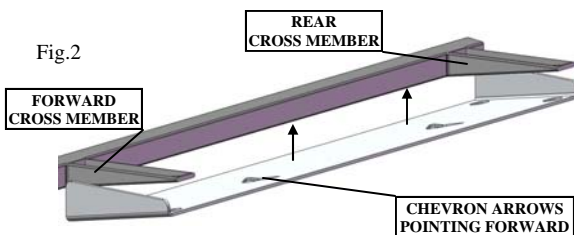
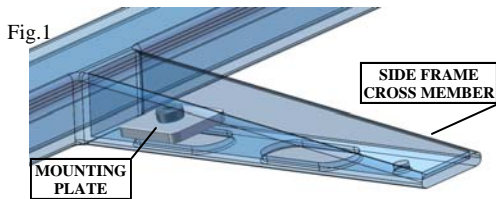


**PREPARATION:**

Plastic factory skid plate should be removed with Pro Armor front mid and rear plates securely installed before installing the side skid plates. Remove gas lower gas tank cover plate and bracket retaining the mounting hardware.

**INSTALLATION:**

1. Locate the mounting points along the left side cross members of the vehicle's frame. Position (1) mounting plate inside the Each of the (3) side cross member's inner mounting point as shown in fig. 1. Perform procedure for both forward, mid and rear left side frame cross members.
2. Position the left rear side skid plate in place as shown in fig. 2. Position the left front skid plate so that it over laps the rear skid plate as shown above. Use fig. 3 as a guide for hardware installation on the inner/outer mounting points. Perform installation for the forward mid and rear left side frame cross members. Tighten all mounting hardware securing the left side skid plate to the frame of the vehicle.
4. Repeat procedures #1-3 with the right side skid plate on the right side of the vehicle. Re-use factory cup washers and mounting screw for the mid and rear outer mounting points on the right rear skid plate.



**MAINTENANCE:**

Periodically check to see that the side skid plates are properly installed. Re-torque mounting bolts when necessary. Do not operate the vehicle if any bolts or fasteners are loose or missing.

**CUSTOMER SERVICE:**

For further information, please contact Pro Armor at 1-951-343-9270.