



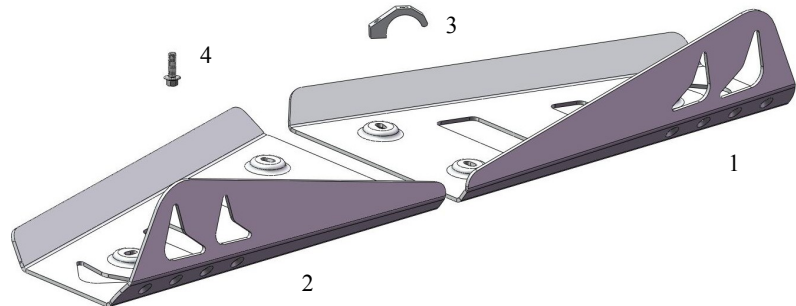
**PRO ARMOR**

**POLARIS RAZR XP  
FRONT A-ARM GUARDS (P111020)  
INSTALLATION INSTRUCTIONS**

Please read these instructions carefully before installation to prevent injury to yourself or damage to your ATV.

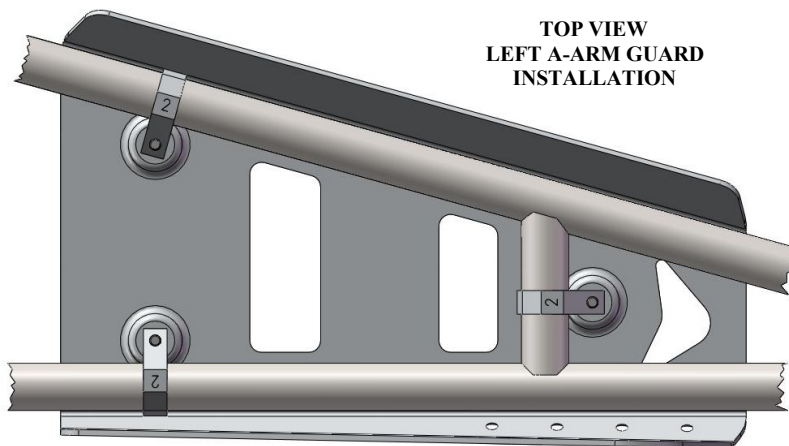
**PARTS LIST:**

PART	DESCRIPTION	QTY
1	FRONT A-ARM GUARD (L)	1
2	FRONT A-ARM GUARD (R)	1
3	MOUNTING HOOK	6
4	M6 x 20mm HEX BOLT	6



**INSTALLATION:**

1. Position the left front A-Arm guard under the vehicle's left front A-arm. Position (3) mounting hooks over the top side of the dimpled slots wrapping the A-Arm tube. Loosely install (3) M6 x 20mm hex bolts through the dimpled slots into the threaded mounting hooks. With all (3) mounting points located and mounting hardware loosely installed, tighten down the mounting bolts securing the A-Arm guard to the vehicle's A-Arm. See the diagram below for more details.



**TOP VIEW  
LEFT A-ARM GUARD  
INSTALLATION**

Repeat the procedure with the right front A-Arm guard on the vehicle's right A-Arm.

**MAINTENANCE:**

Periodically check the tightness of the mounting bolts and that the A-Arm guards are securely installed. Re-torque bolts when necessary. Do not operate the vehicle if any bolts or fasteners are loose or missing.

**CUSTOMER SERVICE:**

For further information, please contact PRO ARMOR at 1-951-343-9270.