

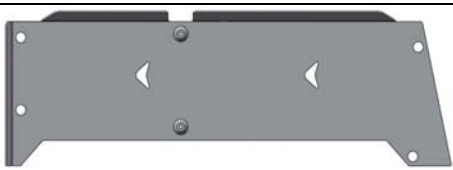
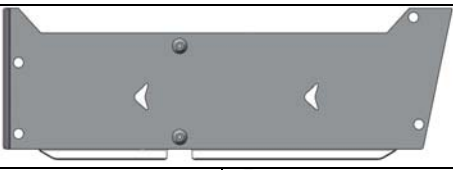














PRO ARMOR

KAWASAKI TERYX 750 (K082026) SIDE SKID PLATES INSTALLATION INSTRUCTIONS

Please read these instructions carefully before installation to avoid injury to yourself or damage to your ATV.

PARTS LIST:

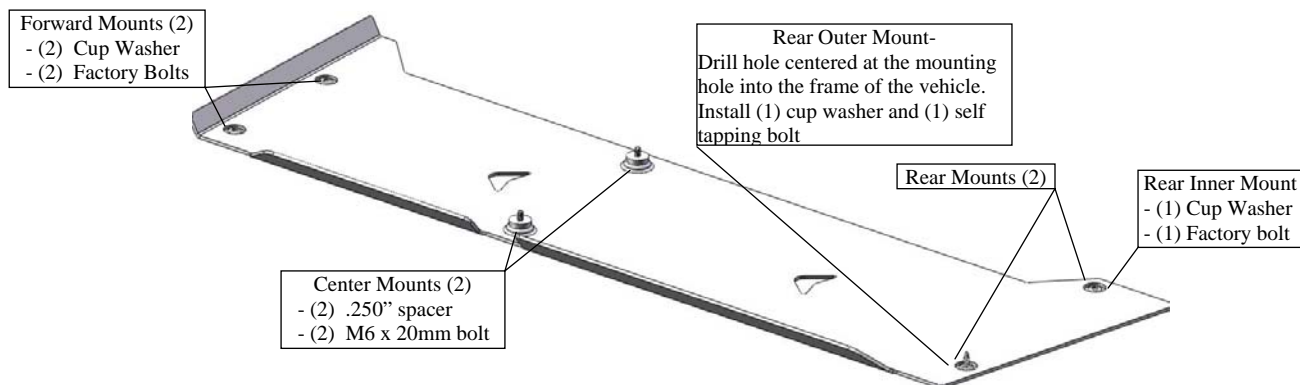
ITEM	DESCRIPTION	QTY								
1	 RIGHT SIDE SKID PLATE	1								
2	 LEFT SIDE SKID PLATE	1								
3	HARDWARE KIT <table border="1" data-bbox="690 1003 1169 1113"> <tr> <td></td> <td>CUP WASHER – QTY:8</td> </tr> <tr> <td></td> <td>M6 x 20mm flanged hex bolt – QTY:4</td> </tr> <tr> <td></td> <td>Self-tapping bolt– QTY:2</td> </tr> <tr> <td></td> <td>.250" spacer – QTY:4</td> </tr> </table>		CUP WASHER – QTY:8		M6 x 20mm flanged hex bolt – QTY:4		Self-tapping bolt– QTY:2		.250" spacer – QTY:4	1
	CUP WASHER – QTY:8									
	M6 x 20mm flanged hex bolt – QTY:4									
	Self-tapping bolt– QTY:2									
	.250" spacer – QTY:4									

PREPARATION:

Remove the stock plastic skid from the vehicle along with its cup washers retaining the mounting bolts. Remove the stock steel mid skid plate from underneath the engine retaining the mounting bolts as well. If stock bolts spin in their mounts excessively, apply downward pressure to the stock skid plate while loosening the bolt.

INSTALLATION:

1. Position the left Pro Armor side skid beneath the left side of the vehicle's frame. Use the diagram below as a guide for hardware installation. Repeat the procedure for the right side skid plate.
3. Tighten down the mounting bolts securing the left and right side skid plates to the frame of the vehicle.



CUSTOMER SERVICE:

For further information, please contact PRO ARMOR at 1-951-343-9270.

K082026