



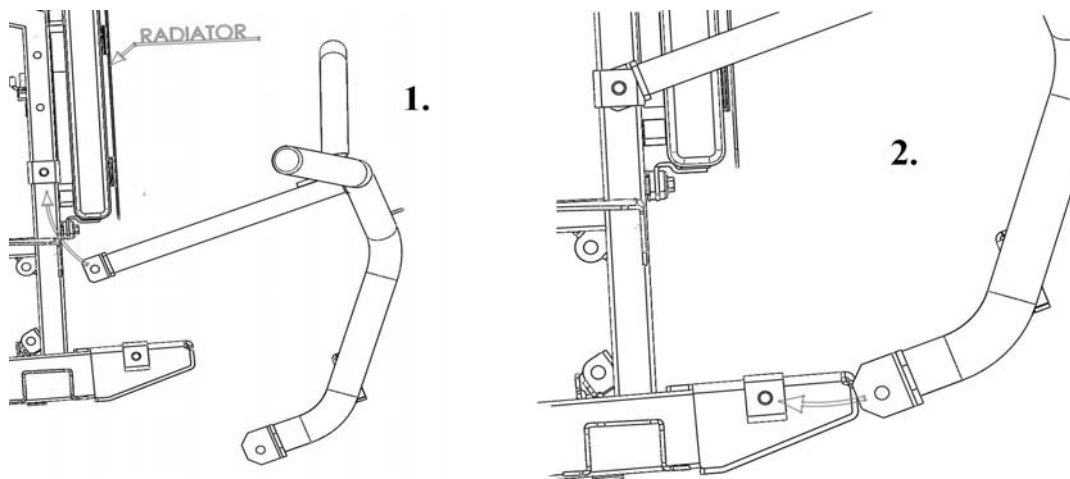
PRO ARMOR
KAWASAKI TERYX 750
FRONT BUMPER (K092027)
INSTALLATION INSTRUCTIONS

Please read these instructions carefully before installation to prevent injury to yourself or your vehicle.

PREPARATION:

1. Remove the factory plastic bumper cover from the vehicles front bumper.
2. Remove the factory front bumper retaining the upper and lower mounting hardware for later use.
3. Remove the factory front plastic shroud that wraps the front of the vehicles radiator.

INSTALLATION:



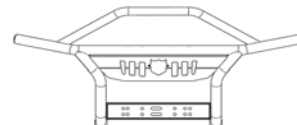
1. Position the front bumper as shown in diagram 1 and come up and around from under the vehicles radiator. Align the upper mounting points of the bumper to the upper mounting points of the vehicle's frame. Loosely install (2) of the retained factory front bumper mounting hardware.
2. Swing the lower section of the bumper in place as shown in diagram 2. Align the lower mounting points of the bumper to the lower mounting points of the vehicle's frame. Loosely install (2) of the retained factory front bumper mounting hardware.
3. With all (4) mounting points located and hardware installed, tighten down the bolts securing the front bumper to the frame of the vehicle.

MAINTENANCE:

Periodically check the tightness of the mounting bolts to ensure that the bumper is securely installed to the vehicle. Do not operate the vehicle if any bolts or fasteners are loose or missing.

CUSTOMER SERVICE:

For further information, please contact PRO ARMOR at 1-951-343-9270.



K092027