



# PRO ARMOR

## KAWASAKI TERYX REAR BUMPER (K092041) INSTALLATION INSTRUCTIONS

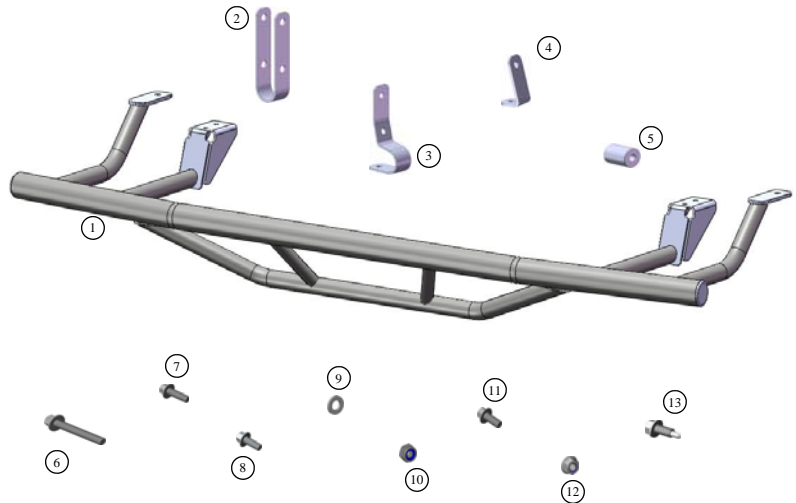
Please read these instructions carefully before installation to prevent injury to yourself or damage to your ATV.

### PARTS LIST:

PART	DESCRIPTION	QTY
1	REAR BUMPER	1
2	INNER BRACKET	2
3	OUTER BRACKET (LARGE)	2
4	OUTER BRACKET (SMALL)	2
5	BRACKET COLLAR	2

### HARDWARE KIT

PART	DESCRIPTION	QTY
6	M6 x 40mm FLANGED HEX BOLT	4
7	M6 x 20mm FLANGED HEX BOLT	4
8	M6 x 16mm FLANGED HEX BOLT	6
9	6mm WASHER	10
10	M6 NYLOC NUT	10
11	M8 x 20mm FLANGED HEX BOLT	2
12	M8 NYLOC FLANGED NUT	2
13	SELF-TAPPING BOLT	4



### INSTALLATION:

1. Position the rear bumper beneath the rear section of the vehicle's bed as shown in fig. 1. Install the specified mounting brackets at the locations shown in the diagram. Perform the procedure for other side of the rear bumper as well.
2. Use fig. 2 as a guide for hardware installation. Install the specified mounting hardware at the locations shown in the diagram. Perform the procedure for the other side of the rear bumper as well. Tighten all mounting bolts and fasteners securing the rear bumper to the vehicle. Note the difference between Model Year 2008 and 2009 hardware used.

Fig. 1 (Rear Bumper Position)

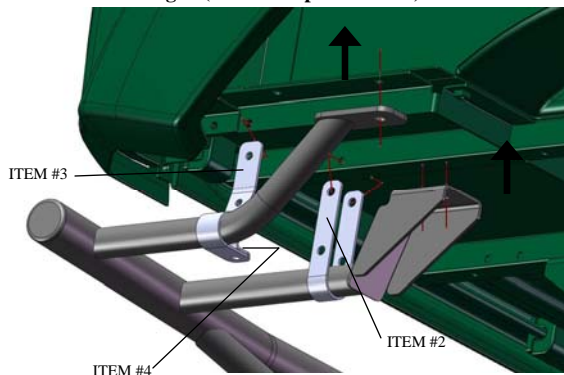
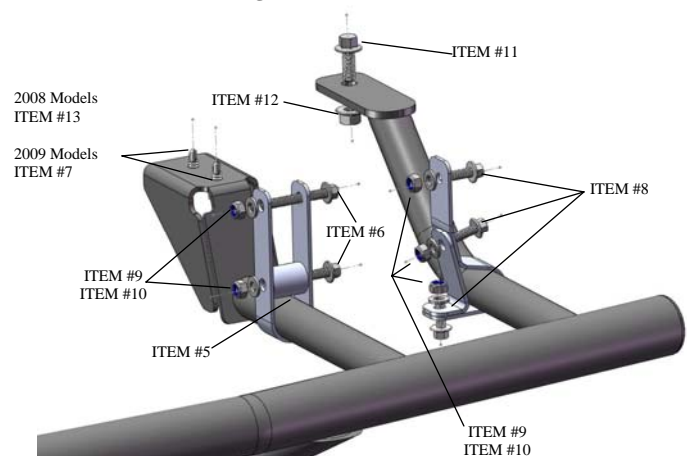


Fig. 2 (Hardware Installation)



### CUSTOMER SERVICE:

For further information, please contact Pro Armor at 1-951-343-9270.

K092041